

# Sensors and Systems

Edition 3.0



Your automation, our passion.

**pf** PEPPERL+FUCHS



**Properties**

- Flexible *VariKont* housing
- 15 mm, flush mountable
- DC, 3-wire switching output
- Terminal compartment

**Technical Data**

For detailed data and product description refer to the data sheets at [www.pepperl-fuchs.com](http://www.pepperl-fuchs.com)

**General Data**

Rated operating distance	15 mm
Installation	flush
Switching element function	PNP NO
Operating voltage	15 ... 60 V DC
No-load supply current	≤ 25 mA
Reverse polarity protection	✓
Short-circuit protection	pulsing
Operating current	0 ... 100 mA
Indication of the switching state	LED 1: yellow
Damping indicator	LED 2: yellow
Ambient temperature	-25 ... 70 °C (-13 ... 158 °F)
Housing material	PBT
Protection degree	IP67
Connection type	screw terminals



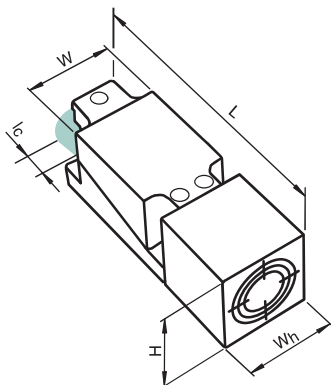
Model Number	NJ15+U1+DW1-1	NJ15+U1+DW1-10	NJ15+U1+DW1-100
Frequency range	0.1 ... 1 Hz , adjustable	1 ... 10 Hz , adjustable	10 ... 100 Hz , adjustable

Approvals and Certificates	NJ15+U1+DW1-1	NJ15+U1+DW1-10	NJ15+U1+DW1-100
UL approval	cULus Listed, General Purpose	●	●
CSA approval	cCSAus Listed, General Purpose	●	●
CCC approval	Certified by China Compulsory Certification (CCC)	●	●

Dimensions	
Length L [mm]	118
Width W [mm]	40
Head width W <sub>h</sub> [mm]	40
Height H [mm]	40
Connector area l <sub>c</sub> [mm]	0 ( M20 x 1,5 )

**Accessories** This and more accessories can be found in chapter 10  
See pages from 972 ... for cordsets See pages 1068 ... for mounting aids

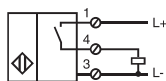
<b>MH 04-2681F</b>	Mounting aid for VariKont, +U1+ and +U9*
<b>V1-M20-80</b>	Receptacles, M12/M20; plastic version
<b>V1-G-BK</b>	4-pin, M12 female field-attachable connector
<b>V1-W-BK</b>	4-pin, M12 female field-attachable connector



**Electrical Connection**



NJ15+U1+DW1-1  
NJ15+U1+DW1-10  
NJ15+U1+DW1-100



Date of issue 04/08/2015



### Properties

- Flexible *VariKont* housing
- 15 mm, flush mountable
- AC, 3-wire switching output
- Terminal compartment

### Technical Data

For detailed data and product description refer to the data sheets at [www.pepperl-fuchs.com](http://www.pepperl-fuchs.com)

#### General Data

Rated operating distance	15 mm
Installation	flush
Switching element function	NO
Operating voltage	90 ... 250 V AC <sup>1)</sup>
Operating current	0 ... 150 mA
Indication of the switching state	LED 1: yellow
Damping indicator	LED 2: yellow
Ambient temperature	-25 ... 70 °C (-13 ... 158 °F)
Protection degree	IP67
Connection type	screw terminals



#### Model Number

		NJ15+U1+DW2-1	NJ15+U1+DW2-10	NJ15+U1+DW2-100	NJ15+U4+DW2-1	NJ15+U4+DW2-10	NJ15+U4+DW2-100
Frequency range	0.1 ... 1 Hz , adjustable	●			●		
	1 ... 10 Hz , adjustable		●			●	
	10 ... 100 Hz , adjustable			●			●
Housing material	PBT	●	●	●			
	PBT/metal				●	●	●

#### Approvals and Certificates

UL approval	cULus Listed, General Purpose	●	●	●	●	●	●
CSA approval	cCSAus Listed, General Purpose	●	●	●	●	●	●
CCC approval	Certified by China Compulsory Certification (CCC)	●	●	●			

#### Dimensions

Length L [mm]	118	
Width W [mm]	40	
Head width W <sub>h</sub> [mm]	40	
Height H [mm]	40	
Connector area l <sub>c</sub> [mm]	0 ( M20 x 1,5 )	0 ( 1/2" NPT )

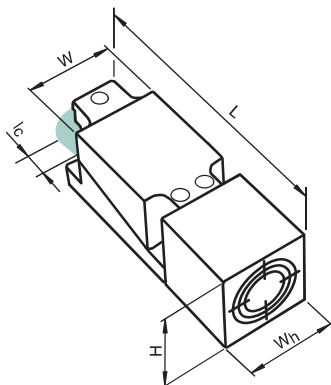
<sup>1)</sup> In the temperature range below 0 °C, permissible operating voltage U<sub>b</sub> 80...253 V  
 Safety fuse ≤ 0.2 A (quick-blow) according to IEC 60127-2 Sheet 1  
 Recommendation: after a short circuit, check that the device is functioning correctly.

### Accessories

This and more accessories can be found in chapter 10

See pages from 972 ... for cordsets      See pages 1068 ... for mounting aids

<b>MH 04-2681F</b>	Mounting aid for VariKont, +U1+ and +U9*
<b>V1-M20-80</b>	Receptacles, M12/M20; plastic version
<b>V1-G-BK</b>	4-pin, M12 female field-attachable connector
<b>MHW 01</b>	Modular mounting bracket
<b>V1-W-BK</b>	4-pin, M12 female field-attachable connector



### Electrical Connection



NJ15+U1+DW2-1  
 NJ15+U1+DW2-10  
 NJ15+U1+DW2-100

NJ15+U4+DW2-1  
 NJ15+U4+DW2-10  
 NJ15+U4+DW2-100

DW2

